

# PEGAS<sup>®</sup>

## DRIVE FILLER

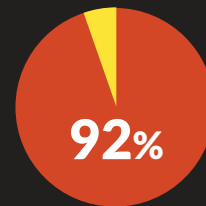
Advanced Pressurized  
Filling Technology  
For Plastic Bottles

### Drive Filler Features:

- New ergonomic design
- Quick installation in 5 mins
- Stop valve for quick gas line service
- No tools needed for service
- Fast-releasing universal bottle holder
- Ready to expand with a traditional tap

### Counter Pressure Filling:

- Eliminates oxygen
- 30-45 day shelf life\*
- No foam / No mess
- Less than 2% waste
- Fits several bottle sizes
- Easy operation



■ PEGAS  
■ Regular tap

In an independent survey conducted by  
The Growler Station, of those surveyed

## 92%

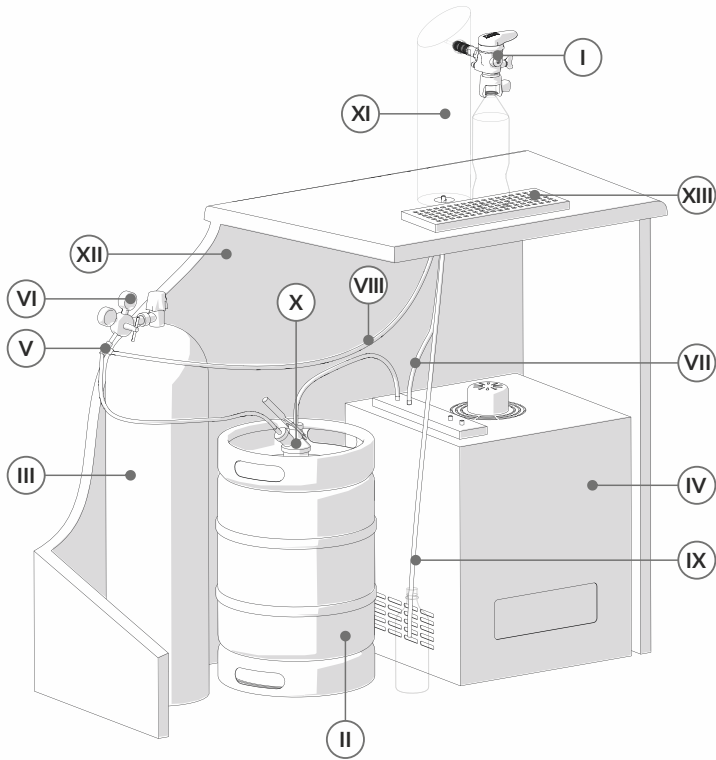
prefer the taste of the beer in growlers filled  
with the Pegas filler vs. from a regular beer  
tap early as 4 days after being filled.

BY  NPM

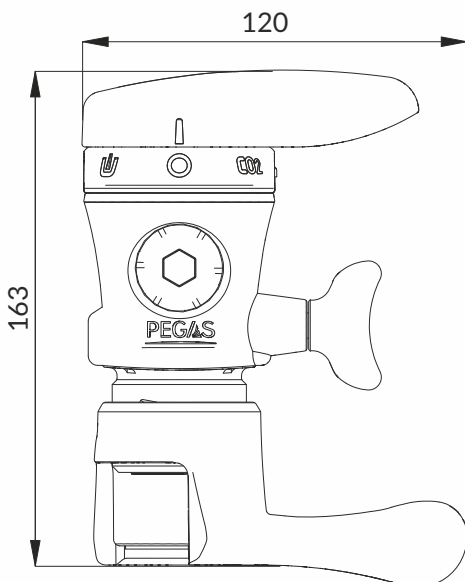
NPM International, Ltd.  
630108, Russian Federation, Novosibirsk  
phone: +7 (383) 211-90-49  
e-mail: [pegas@beerinnovations.com](mailto:pegas@beerinnovations.com)  
[www.beerinnovations.com](http://www.beerinnovations.com)

# PEGAS®

## Drive filler



- I PEGAS Drive Filler
- II Beer keg
- III Gas cylinder with pressure regulator
- IV Cooler
- V T-fitting
- VI Pressure regulator
- VII Beer supply hose
- VIII Supply hose
- IX Drain hose
- X Keg coupler
- XI Beer tower
- XII Table top
- XIII Drip tray



## Technical Data

|   |             |
|---|-------------|
| Filling capacity<br>depends on temperature, beer quality,<br>and operator experience  | 45-120 L/h  |
| CO <sub>2</sub> Pressure to keg   | 1.5-2.5 bar |
| 3 pcs of a hose for connection of beer, CO <sub>2</sub> and drainage lines. extern. diam. 12 mm, intern. diam. 7 mm clamps. |             |
| Outside supply hose dia.  | 12 mm       |
| Inside supply hose dia.   | 7 mm        |

## Bottle requirements

### Plastic bottles

- Compatible with bottle neck  
PCO 1810 = 21mm  
PCO 1881 = 17mm  
BPF = 23mm
- It must withstand the pressure of 3 bar



### Plastic Growlers

- 1,89L (64 oz) popular size in the U.S. An adapter ID 141901 is required.
- For different shapes and sizes of growlers, a customized adaptor is required.



- \*For 30-45 - day beer shelf life and better customer satisfaction, we recommend:
- 1) To use air barrier bottles.
  - 2) To do general cleaning and sanitizing of the equipment, beer lines, accessories.
  - 3) To use air tight caps.
  - 4) To use a clean bottle.
  - 5) To keep the workplace clean.
  - 6) Pure CO<sub>2</sub>

