



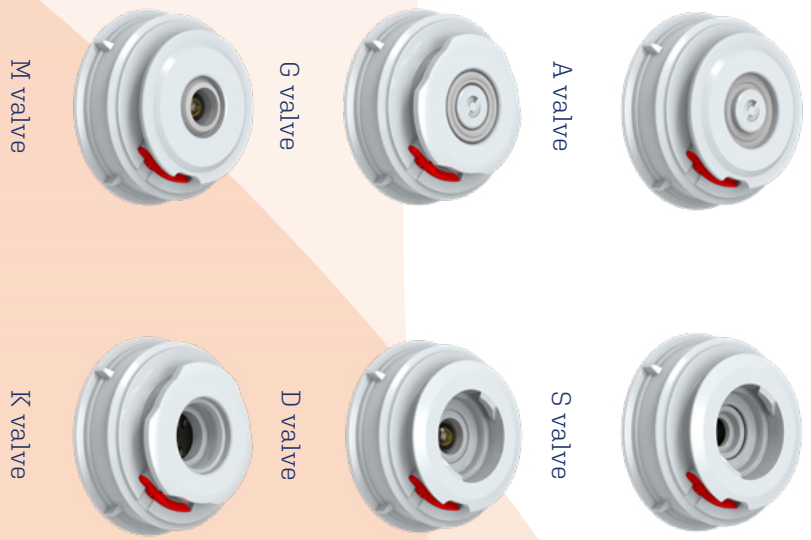
POLYKEY PRO

**THE SAFEST AND MOST
SUSTAINABLE ONE-WAY KEG**



POLYKEG PRO RANGE

PolyKeg PRO range is available both with and without bag in **5 different sizes** and with **6 different valves** for a full compatibility.



12 litres

16 litres

20 litres

24 litres

30 litres

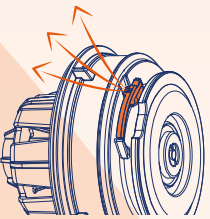
WITH BAG



WITHOUT BAG



THE EXCLUSIVE ADVANTAGES OF POLYKEG PRO

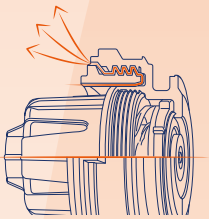


PRESSURE-RELIEF VALVE (PRV)

Each PolyKeg PRO is equipped with

a **PRV - pressure relief valve:**

- > **Automatic release of overpressure** when it exceeds the set value, during the entire keg life cycle. The PRV closes automatically once the internal pressure drops below the set value.
- > Complete and quick **depressurization** of the keg after use, with easy removal of the PRV lever.



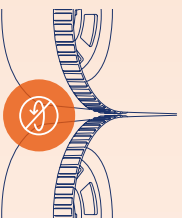
SCREW NECK

The neck closure has a **unique design**

to ensure **automatic pressure relief**

in case of tampering, and a higher

resistance in the unlikely case of valve detachment from the keg.



ANTI-ROTATION SYSTEM

PolyKeg PRO's anti - rotation system

stops the keg from slipping and

rotating on the pallet, ensuring the

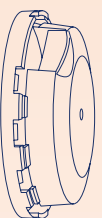
stability of the goods both in the

warehouse and during shipment. It's

simple, fast and safe since the keg

does not need to be oriented during the

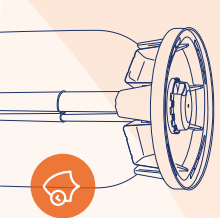
palletization process.



TAMPER EVIDENT SEAL

The tamper evident seal, exclusive of PolyKeg®:

- > Guarantees the **integrity of the keg**, showing possible manipulation by third parties.
- > **Protects the valve** from external agents and against shocks during the handling.



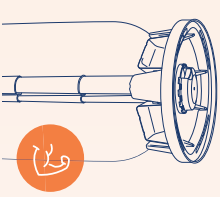
BARRIER

Thanks to the **special materials**,

PolyKeg PRO guarantees a high

barrier to O₂, CO₂ and light keeping

the product qualities unchanged over time.



LIGHT AND STRONG

The innovative design and

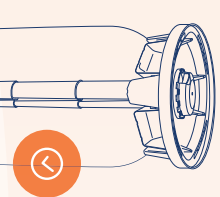
materials used to make PolyKeg PRO

lightweight, yet strong and safe,

ensure high resistance to internal

pressure and handling during

transport and storage.



READY TO USE

PolyKeg PRO is **ready for filling**

without any additional steps and

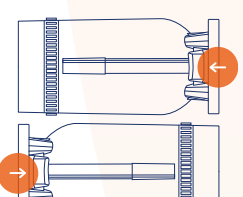
extra costs on the customer's side. It

is supplied flushed and without

residual oxygen. This ensure

excellent sanitary conditions inside

the keg.



FILLING

PolyKeg PRO can be filled **either**

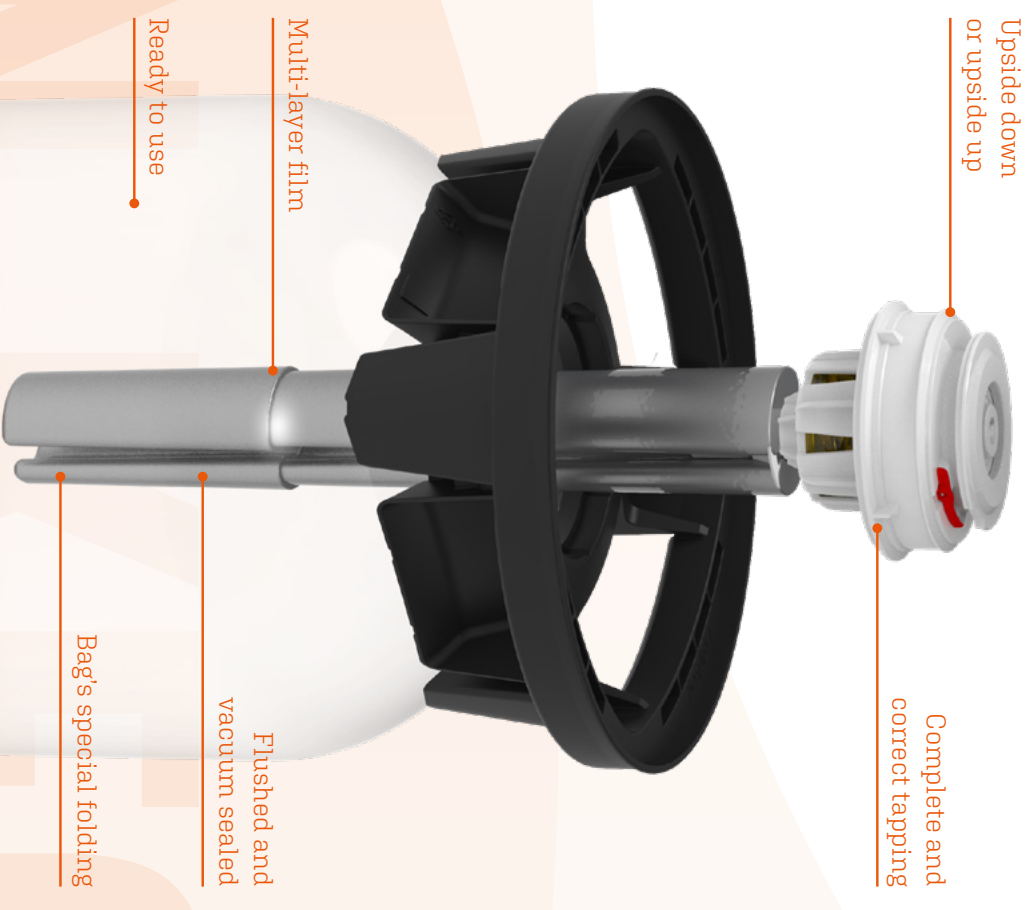
upside down or upside up, manually

or with automatic filling machines.

THE INNOVATIVE BAG IN KEG SYSTEM

Bag in Keg (BIK): PolyKeg®'s exclusive innovation.

- > It allows **complete and correct tapping**, avoiding excessive foam and product waste.
- > It guarantees **maximum protection of the product**, before and during tapping, thanks to the innovative bag design, made with a special multi-layer film that provides a **complete barrier to light, O₂ and CO₂**.
- > It is **ready for filling** without any additional steps and extra costs on the customer's side. The bag kit is supplied **flushed and vacuum sealed** to ensure the absence of residual oxygen and excellent sanitary conditions inside the bag.
- > It can be filled either **upside down or upside up**, manually or with automatic filling machines.



WEIGHTS AND DIMENSIONS

12L | 406 oz.

16L | 541 oz.

20L | 676 oz.

24L | 811 oz.

30L | 1014 oz.

Diameter	246,6 mm 9,70"	246,6 mm 9,70"	246,6 mm 9,70"	272,5 mm 10,72"	307,5 mm 12,10"
Height	393 mm 15,47"	481 mm 18,93"	569 mm 22,40"	566 mm 22,28"	566 mm 22,28"
Empty weight without bag	1,02 kg	1,07 kg	1,17 kg	1,26 kg	1,48 kg
Empty weight with bag	1,08 kg	1,14 kg	1,24 kg	1,35 kg	1,57 kg

LOGISTICS

Pallet
80x120 cm | 31.50" x47.24"

12L 406 oz.
16L 541 oz.
20L 676 oz.
24L 811 oz.
30L 1014 oz.

Pallet
100x120 cm | 39.37" x47.24"

12L 406 oz.
16L 541 oz.
20L 676 oz.
24L 811 oz.
30L 1014 oz.

Kegs per pallet	75	60	60	48	44	Kegs per pallet	100	80	80	64	48
------------------------	-----------	-----------	-----------	-----------	-----------	------------------------	------------	-----------	-----------	-----------	-----------

Quantity	pallet	kegs	kegs	kegs	kegs	kegs	Quantity	pallet	kegs	kegs	kegs	kegs
CTR 20 ft Standard	11	825	660	495*	396*	363*	CTR 20 ft Standard	10	1000	800	600*	480*
CTR 40 ft High Cube	24	1800	1440	1440	1152	1056	CTR 40 ft High Cube	22	2200	1760	1760	1408
CTR 45 ft High Cube	32	2400	1920	1920	1536	1408	CTR 45 ft High Cube	26	2600	2080	2080	1664
Truck 13,6 m	32	2400	1920	1920	1536	1408	Truck 13,6 m	26	2600	2080	2080	1664
												1248

*Note: quantities refer to three layers palletization, compulsory for CTR 20 ft Standard

FULLY SUSTAINABLE



EASY TO DISASSEMBLE

Thanks to the innovative eco-design, PolyKeg PRO can be **easily disassembled into various components and materials**, everywhere and without using any power.



RAW MATERIAL OPTIMIZATION

PolyKeg PRO kegs have been designed to optimize the quantity and type of materials used, avoiding metal components. This is the best solution to **optimize the recycling process** and the reuse of materials.



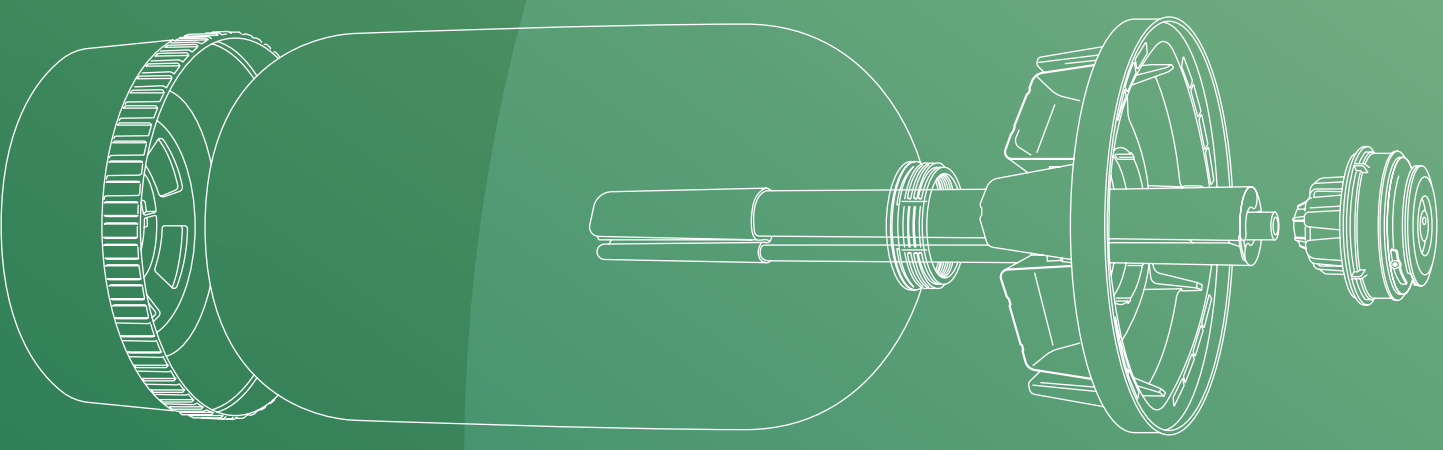
LOGISTICS

The PolyKeg PRO range has been designed to maximize the quantity of kegs per pallet, truck or container, resulting in **reduced storage space and costs, handling and transport**.



DECENTRALIZATION

PolyKeg® developed a modular and compact production process that allows to decentralize the production of our kegs as close as possible to the target market, and in some cases directly in-house. This innovative solution makes possible to **cut down secondary packaging and improve handling and logistics**.





MADE IN ITALY



POLYKEG SRL

Via L. Da Vinci, 5/9 24064 Grumello del Monte (BG) Italy
Ph +39 035 4522245 | Fax +39 035 4522914
info@polykeg.it

POLYKEG ESPAÑA S.L.U.

CTRA de Vilafranca del Penedés a Fontrubi, KM. 6
08735 Villobi del Penedés - (Barcelona) Spain
Ph +34 935 242 560 | sales@polykeg.es

POLYKEG UK LIMITED

3 Hutton Close - South Church Enterprise Park
Bishop Auckland, County Durham DL14 6XG United Kingdom
Ph +44 01388 433433 | info@polykeg.co.uk

www.polykeg.com



PolyKeg SRL is certified with:

